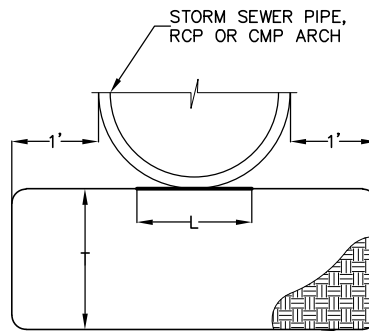


PIPE DIA.	L	T
15"	1'	2'
21"	1'	2'
103" ARCH	3'	3'

NOTE:  
OVERLAP FABRIC "L" FEET  
UNDER CENTER OF PIPE,  
SEE TABLE ABOVE.



TYPE II GEOTEXTILE FABRIC (PER MNDOT 3733)  
SURROUNDING FOUNDATION MATERIAL

**215 - PIPE BEDDING (SPECIAL)**

215 - PIPE BEDDING (SPECIAL).DWG

6/2016

H:\Cad\_Comn\Details Updated\0 - 200 - STORM complete\215 - Pipe Bedding (Special)



ENGINEERING DIVISION  
PUBLIC WORKS DEPARTMENT

PLATE NAME:

**215 - Pipe Bedding (Special)**

LAST REVISED: 9/14/2016

LAST REVISED BY: KBO