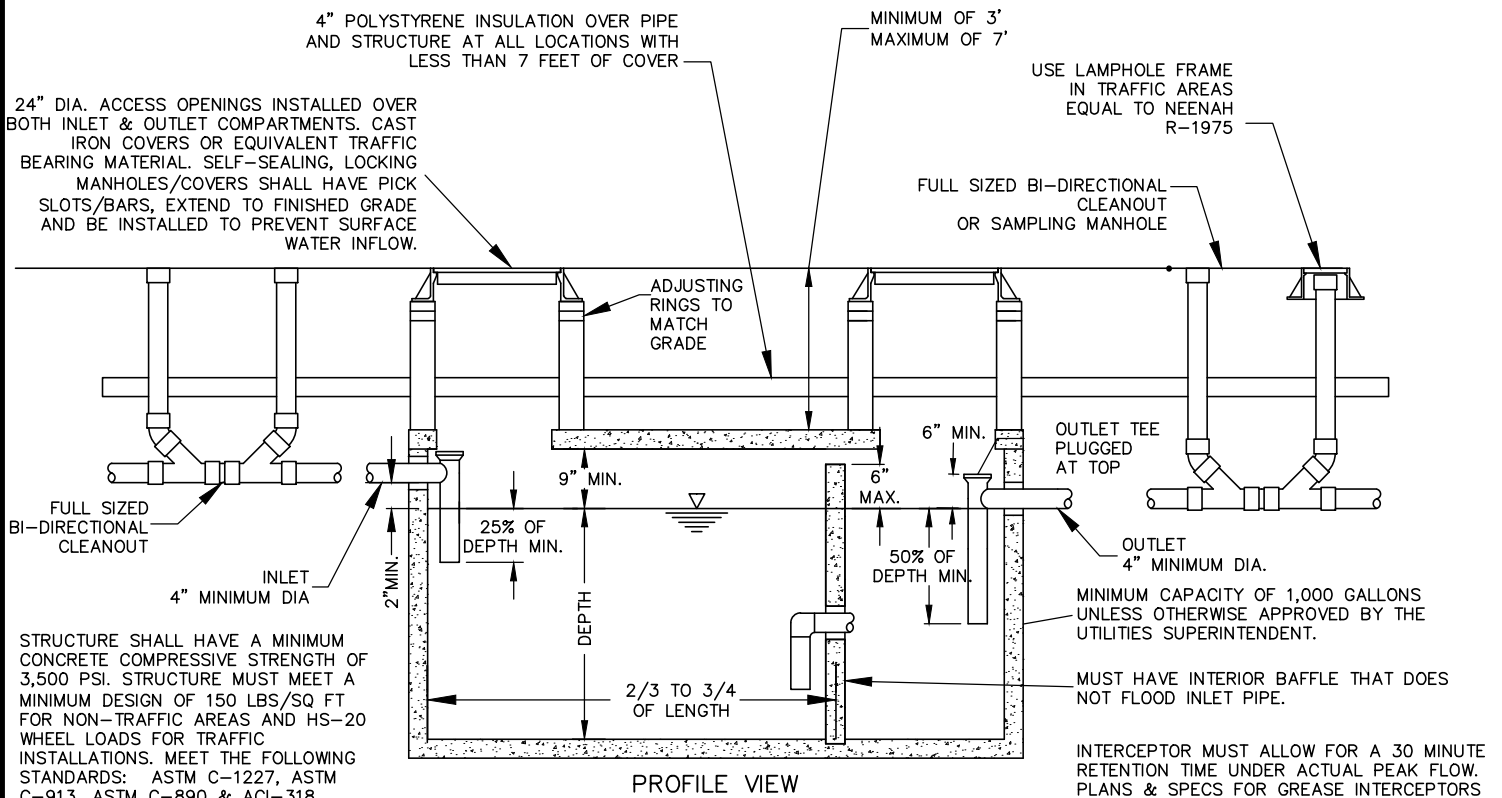


PLAN VIEW



PROFILE VIEW

**GREASE INTERCEPTOR EXAMPLE**  
FOR INFORMATIONAL PURPOSES ONLY

STRUCTURE SHALL HAVE A MINIMUM CONCRETE COMPRESSIVE STRENGTH OF 3,500 PSI. STRUCTURE MUST MEET A MINIMUM DESIGN OF 150 LBS/SQ FT FOR NON-TRAFFIC AREAS AND HS-20 WHEEL LOADS FOR TRAFFIC INSTALLATIONS. MEET THE FOLLOWING STANDARDS: ASTM C-1227, ASTM C-913, ASTM C-890 & ACI-318.

PLACE DURABLE WARNING SIGNS IN ACCESSWAYS: "GREASE INTERCEPTOR-DO NOT ENTER WITHOUT PROPER SAFETY EQUIPMENT"

INTERCEPTOR MUST ALLOW FOR A 30 MINUTE RETENTION TIME UNDER ACTUAL PEAK FLOW. PLANS & SPECS FOR GREASE INTERCEPTORS SHALL BE SUBMITTED AND APPROVED BY THE CITY OF BLOOMINGTON PRIOR TO INSTALLATION. PLANS SHOULD INCLUDE INTERIOR GREASE PIPING SHOWING ALL CONNECTED FIXTURES. PRESSURE OR VACUUM TEST TO BE WITNESSED BY CITY.

H:\CAD\_COMN\Details Updated\400 - SAN SEWER complete\412 - Typical Grease Interceptor

**CITY OF BLOOMINGTON MINNESOTA**  
1700 W 98TH ST.  
BLOOMINGTON MN 55431  
PHONE (952) 563-8700

**ENGINEERING DIVISION  
PUBLIC WORKS DEPARTMENT**

PLATE NAME:

**412 - Typical Grease Interceptor**

LAST REVISED: 2/27/2023

LAST REVISED BY: KBO