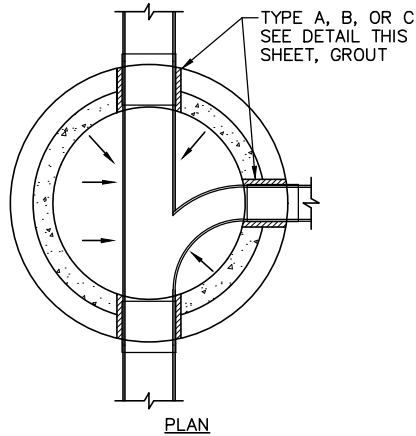
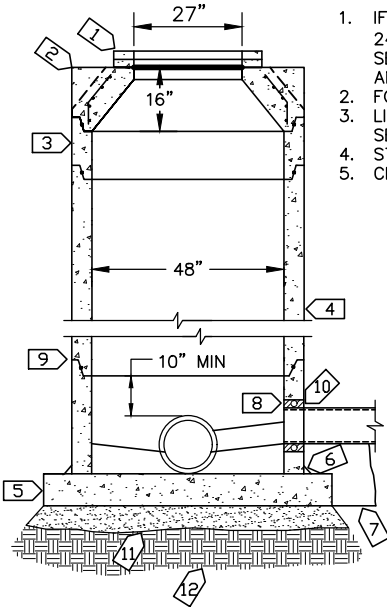


NOTES:

1. IF A SEWER MAIN IS CONNECTED MORE THAN 24" ABOVE THE INVERT OF THE OUTGOING SEWER, CONNECTION SHALL BE BY MEANS OF AN OUTSIDE DROP. SEE DETAIL THIS SHEET.
2. FORM GROUT TO SLOPE TO CENTER TROUGH.
3. LIFTING HOLES WHICH PENETRATE THROUGH SECTION WALLS ARE NOT PERMITTED.
4. STEPS ARE NOT PERMITTED IN MANHOLES.
5. CHIMNEY SEAL REQUIRED. SEE DETAIL 404.

KEY NOTES:

- 1 MN/DOT S.P.4010 2" ADJUSTING RINGS AS NEEDED [6" MIN. TO 12" MAX.]. SET EACH RING IN FULL BED OF MORTAR.
- 2 16" SHORT CONE OR FLAT TOP ARE ACCEPTABLE. A CENTER HOLE ACCESS IS REQUIRED.
- 3 12" TOP SECTION REQUIRED.
- 4 USE ONLY PRECAST SECTIONS. NO BRICK OR BLOCK
- 5 8" CAST IN-PLACE CONCRETE OR 6" PRECAST REINFORCED CONCRETE (64" MINIMUM OD)
- 6 CEMENT MORTAR ALL AROUND
- 7 LEAN CONCRETE TO BEAR AGAINST FIRM UNDISTURBED SOIL
- 8 PROVIDE WATER TIGHT PIPE CONNECTIONS SEE DETAIL THIS SHEET
- 9 O-RING GASKET
- 10 FOR CONNECTION TO EXISTING MH'S, CORE DRILL OPENING AND PROVIDE TYPE B WATER TIGHT CONNECTOR
- 11 6" SAND OR FOUNDATION MATERIAL
- 12 UNDISTURBED SOIL OR COMPACTED SUBGRADE



400 - STD. SANITARY SEWER MH  
400 - Std San MH.dwg 6/2015

H:\CAD\_COMN\Details Updated\400 - SAN SEWER complete\400 - Std San MH



ENGINEERING DIVISION  
PUBLIC WORKS DEPARTMENT

PLATE NAME:

400 - Std San MH

LAST REVISED: 2/27/2023

LAST REVISED BY: KBO